

Spare parts

Here is a list of spare parts, should you ever need any for your Kema 1.
Call or mail us and tell us which numbers you need.



Top



Middle



Bottom



Kema Denmark
Vesterled 51,
6851 Janderup Vestj.
Denmark

kema@kema-denmark.com
www.kema-denmark.com
Tlf. +45 24 27 98 82
Fax +45 75 16 76 46



PTA Tyre Shop Stuff Ltd
Unit 7, Bicton Business Park
Isle Lane, Bicton
Shrewsbury, SY 3 8DY

ptagp@tiscali.co.uk
www.ptaconsumables.co.uk
Tlf. +44 01743 851116
Fax +45 01743 851116



Kema L
Bead Breaker

Manual

Kema 1 · Bead Breaker

Kema 1 Pneumatisk Bead Breaker is a transportable and practical tool, when large fastened tyres has to be loosened from the rim – either in the shop, or on the go.



Without even removing the rim

With a Kema 1 you won't have to dismount the rim if you have a flat tyre, all you need is a jack.

Compact and manageable

The entire unit weights in at only 28.66 lb, and is very compact - allowing great portability.

Also loosens the tyre on the inside

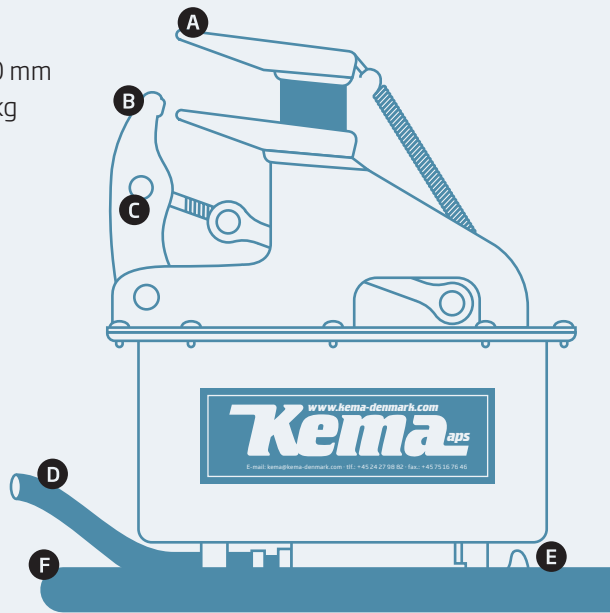
It is possible to loosen the tyre on both sides, Kema 1 manages both fixing and bead-breaking.

Technical data

Height 250 mm **Width** 230 mm
Length 320 mm **Weight** 13 kg

- A** Ram
- B** Jaw for bead seat
- C** Adjustmentscrew for jaw
- D** Connection to compressed air
- E** Air supply and air escape valve
- F** Handle

- G** Air supply
- H** Air escape



CE The machine is must only be used to loosen tyres. Dismantle air supply after use. Always hold onto the unit using both hands during use.

Calibration

Kema 1 needs calibration before use, follow these 3 quick steps and you're ready to remove your flat tyre.

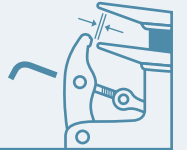
- 1** Before use attach hose connections to air line. Connect air supply, measure width of the rim with a slide gauge.



- 2** Activate the air supply button (G), until the jaw is at maximum position and the ram is in ready position.



- 3** The adjustment screw on the jaw has to be adjusted with a 10 mm Allen key. The distance should be the width of the rim + approx. 2 mm.





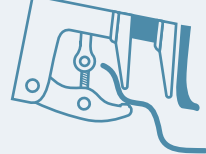
- 4** A too large distance between the ram and the jaw means that the ram will be pressed too far out on the side of the tyre, and is therefore unable to grip onto the tyre.



- 5** Too small distance means that the jaw will be locked on to the rim and the machine will be unable to operate (If the machine fastened to the tyre, loosen it using the adjustment screw).



Kema 1 at work

- 1**  **A** Let air out of the rim.
- 2**  **B** Place the ram on the edge of the rim and press the tyre slightly, if the tyre is old, more force might be needed for the Kema 1 to fasten.
- 3**  **C** Activate the air supply button (G), and the Kema 1 will be fastened to the rim. **E** Again activate the air supply button (G), and the tyre will be loosened. **F** In case of older tyres, repeating B-E 2-3 times, different places on the rim might be necessary.
- D** Kema 1 is held parallel to the tyre, allowing the Kema 1 to follow the rim.